

CTEZED 23.3 JHV on IVECO

↑ 23 m

→ 10 m

👤 250 kg

To achieve maximum performance in different types of applications.

Easy of use.
Control.
Technology.



CTEZED 23.3 JHV on IVECO

23 m working height, 10 m of outreach and an impressive capacity of 250 kg in the basket



S³ EVO



Stability
at height



Impressive 300 kg
basket capacity



Jib

TECHNICAL DATA

- » Double pantograph + telescopic boom with single extension + jib
- » Sigma boom movement enabled by connecting rods
- » $\pm 320^\circ$ turret rotation
- » Smooth proportional simultaneous controls with acceleration and deceleration ramps
- » Engine start and stop controls from basket and ground
- » Automatic engine rpm management on CTE ZED 23.3 JHV model
- » Anti-slip aluminium deck
- » Basket in aluminium 1400x700x1100 mm
- » $90^\circ + 90^\circ$ hydraulic basket rotation
- » Automatic hydraulically actioned basket levelling
- » 4 hydraulic outriggers with ground pressure sensors: front variable jacking outriggers and rear straight down stabilizers
- » Variable stabilisation managed by S³ EVO on CTE ZED 23.3 JHV model and H Stab System on CTE ZED 23.3 JH model
- » CAN BUS electronic management system
- » Ground control station with wired console
- » Load cell
- » Diagnostic display on board on CTE ZED 23.3 JHV model
- » Basket control station equipped with working envelope related info on CTE ZED 23.3 JHV model
- » Hydraulic system operated by vehicle's PTO
- » Buzzer indicating PTO engaged
- » Hour meter
- » 230 V AC in the basket
- » EN 280:2015 CE certified
- » Standard boom colours blue (RAL 5017) and white (RAL 9003)



watch the video

STRENX™
PERFORMANCE STEEL

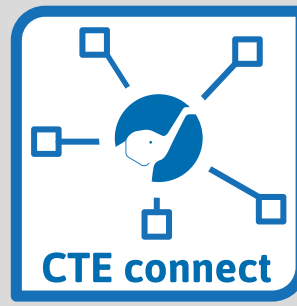
IPAF



EASY TO ACCESS BASKET



DIAGNOSTIC TOOLS

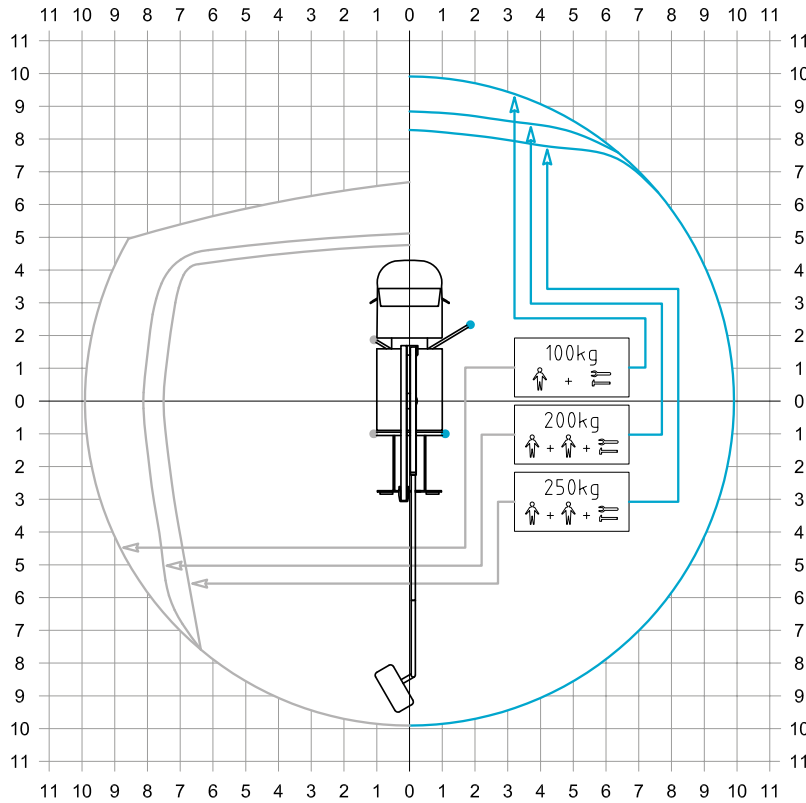


CTE CONNECT SYSTEM INTEGRATED

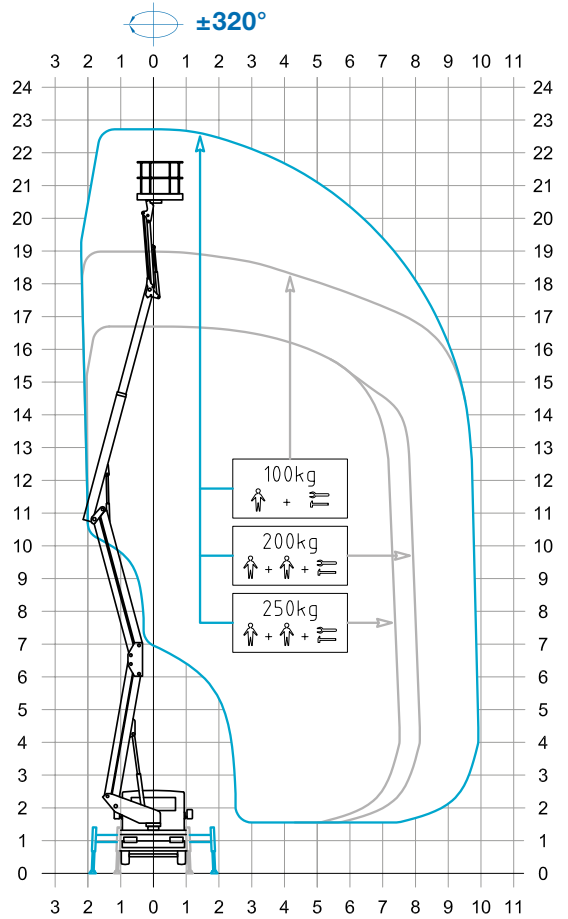


EQUIPPED WITH JIB

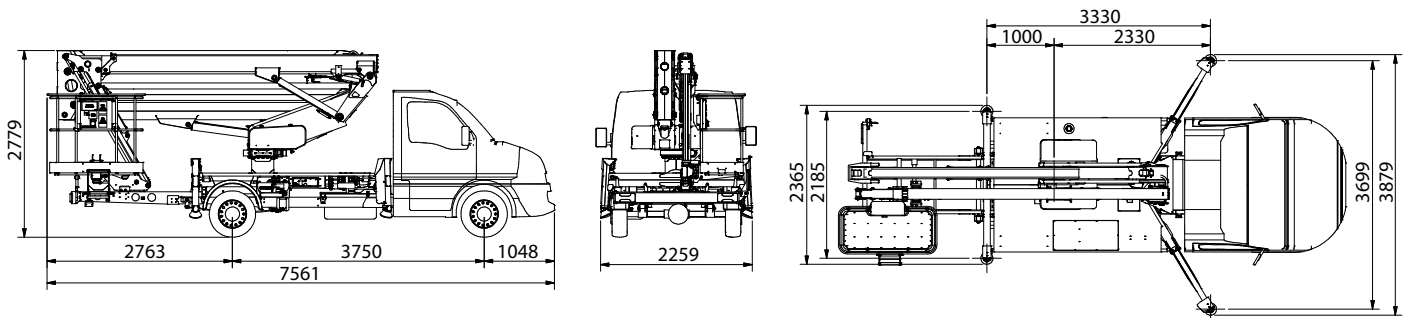
OUTRIGGER FOOTPRINT



WORKING ENVELOPE



DIMENSIONS



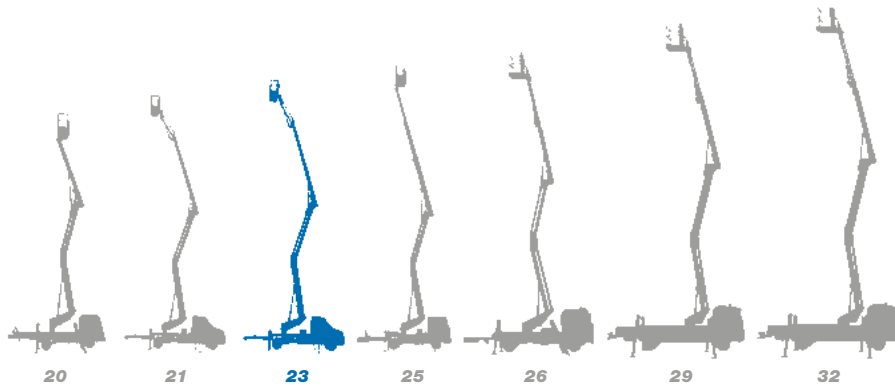
- 23* m** **1,4 x 0,7 x 1,1 m**
- 21* m** **10* m**
- 250 kg** **GVW min 3.500 kg**
- 200 kg**

* outreach and height max values and repeatability can change within ± 3% due to manufacturing variation and working condition.

Product specifications are subject to change without notice or obligation. Technical features and drawings in this brochure are for illustrative purposes only _ZED 23.3 JHV - ed. 09/21



Articulated truck-mounted platforms range from 20 m to 32 m



- ★ Most versatile boom configuration
- ★ Most compact machine in its class
- ★ Clean top boom
- ★ Friendly to use intuitive controls
- ★ Easy maintenance
- ★ Excellent boom rigidity during operation



**We are CTE, one of the largest
european groups in the field of
lifting people and handling of material.**



**After sales
assistance**



**Service
spare parts**



**Scheduled
maintenance**



**On-site
assistance**



**Authorized
workshops**

Efficient services, innovative technical solutions, timely assistance, professional advice and training: 'Work Becomes Easy' is all this. A style, a philosophy at the heart of which are our customers, their safety, their quality of life. For this reason there is a group in CTE united by ideas, motivation and passion to simplify the work of companies active in the lifting of people and objects.



CTE s.p.a.
Via Caproni, 7
38068 Rovereto (TN)

Factory
Loc. Terramatta, 5
37010 Rivoli Veronese (VR)

Tel. +39 0464 48.50.50
info@ctelift.com
www.ctelift.com



UNI EN ISO 9001:2008 IT 61659