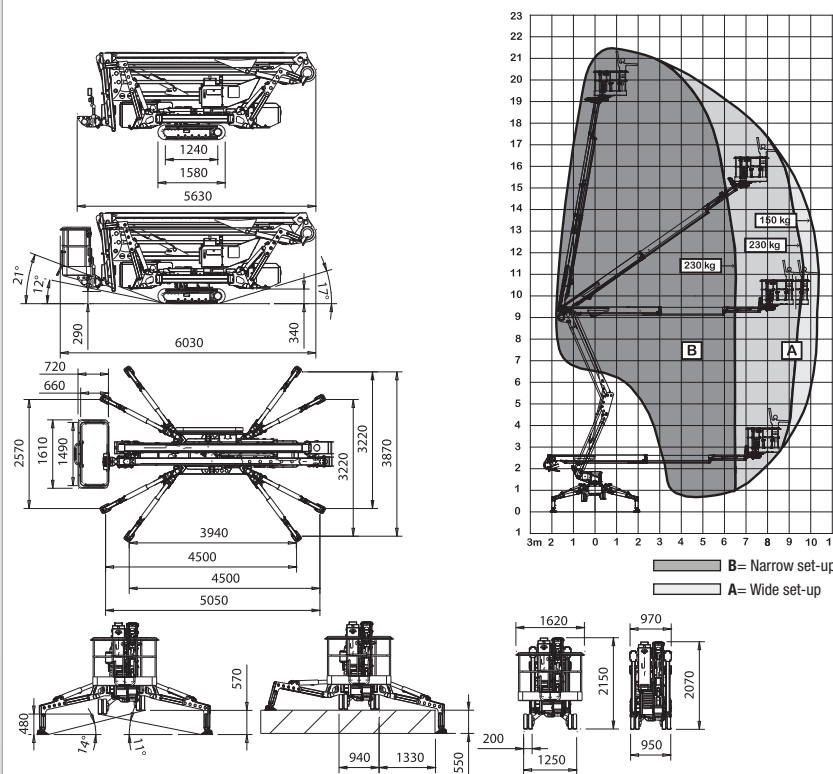


# SERIES SPIDER 22.10

**Light & high performance**

- Ultra-light and easy to transport
- 230 kg in the basket
- Electric battery or HYBRID version on request
- Easy access to every component subject to maintenance.
- Simple but precise to use.
- Equipped with radio remote control
- Triple stabilization set up and automatic outreach

- Multi-width stabilizer settings to enable machine to set up in confined spaces
- Air & Water & 220 Vac outlets into the basket
- Cage interchangeable with winch (optional)



| TECHNICAL SPECIFICATIONS            |                                      | STD        | E                 | ED           |
|-------------------------------------|--------------------------------------|------------|-------------------|--------------|
| Maximum working height              | m                                    |            | 21,70             |              |
| Floor height                        | m                                    |            | 19,70             |              |
| Maximum side outreach               | m                                    |            | 10,30             |              |
| Rotation angle of the tower         | °                                    |            | 365               |              |
| Aluminium basket dimensions         | m                                    |            | 1,50 x 0,70       |              |
| Basket rotation angle               | °                                    |            | 90+90             |              |
| Maximum capacity of basket          | Kg                                   |            | 230               |              |
| Length closed (basket disassembled) | m                                    |            | 5,97 (5,28)       |              |
| Minimum width closed                | m                                    |            | 0,98              |              |
| Minimum height closed               | m                                    |            | 2,06              |              |
| Overall dimensions Stabilization    | Wide Narrow                          |            | 3,87 x 3,94       | 2,57 x 5,05  |
| Maximum horizontal inclination      | degrees/%                            |            | 16° (29%)         |              |
| Maximum side inclination            | degrees/%                            |            | 17° (31%)         |              |
| Maximum speed                       | Km/h                                 | 1,5        | 0,8               | 1,5          |
| <b>WEIGHTS</b>                      |                                      | <b>STD</b> | <b>E</b>          | <b>ED</b>    |
| Weight in work conditions*          | Kg                                   | 2980*      | 3260*             | 3260*        |
| Ground pressure stowed machine      | KN/m²                                | 2,94       | 3,21              | 3,21         |
| Ground pressure when on stabilizers | KN/m²                                | 1,91       | 2,09              | 2,09         |
| Max point load on one stabilizer    | KN                                   | 21         | 23                | 23           |
| <b>POWER</b>                        |                                      | <b>STD</b> | <b>E</b>          | <b>ED</b>    |
| Z602 Kubota diesel engine           | HP/rpm                               | 14/3600    | -                 | 14/3600      |
| Electric motor 220 Vac              | CV/KW                                | 3 / 2,2    | 3 / 2,2           | -            |
| Electric Motor 24 Vdc               | CV/KW                                | -          | 7,4/5,5           | 7,4/5,5      |
| Traction battery capacity           | 24Vdc Lead Acid<br>24Vdc Lithium Ion | Ah         | -<br>2x210<br>400 | 1x210<br>300 |
| Battery charger                     | lead acid<br>lithium ion             | Ah         | -<br>45<br>100/50 | 45<br>100/50 |

\* Subject to change depending on configuration.