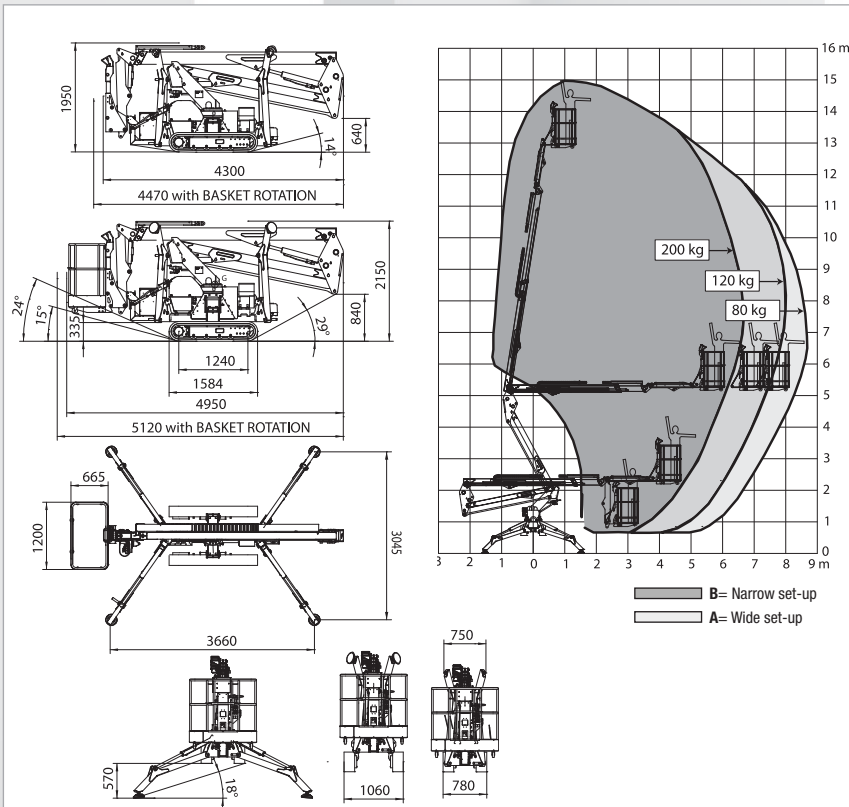


SERIES SPIDER 15.75

The Best solution for the maintenance of building frontage

- Available with KUBOTA diesel engine with liquid cooling
- Available in bi-energy Electric version with 230Vac motor and Lithium-technology batteries
- Easy access to each component for simplified maintenance
- Easy to use with precise and proportional controls
- Equipped with flying jib without any basket capacity restriction

- Air/water and 230Vac outlets are available into the basket
- Fully protected by metal covers against falling objects
- Cranked outrigger design for increased ground clearance
- Quick detach and interchangeable cage



TECHNICAL SPECIFICATIONS				
		STD	E	ED
Maximum working height	m		15,00	
Floor height	m		13,00	
Maximum side outreach	m		7,40 (120kg)	
Rotation angle of the tower	°		360	
Aluminium basket dimensions	m		1,30 x 0,70	
Basket rotation angle	°		70+70	
Maximum capacity of basket	Kg		200	
Length closed (basket disassembled)	m		5,00 (4,36)	
Minimum width closed	mm		780	
Minimum height closed	mm		1950	
Overall dimensions Stabilization	m		3,00 x 3,66	
Maximum horizontal inclination	degrees/%		16° (29%)	
Maximum side inclination	degrees/%		17° (31%)	
Maximum speed	Km/h	1,5/2,5	0,8/1,5	1,5/2,5
WEIGHTS		STD	E	ED
Weight in work conditions*	Kg	1.980*	2.100*	2250*
Ground pressure stowed machine	KN/m²		3,09	
Ground pressure when on stabilizers	KN/m²		1,87	
Max point load on one stabilizer	KN		14,30	
POWER		STD	E	ED
Honda iGX390 petrol engine	HP/rpm	13/3600	-	-
Z482 Kubota diesel engine	HP/rpm	13/3200	-	-
Electric Motor 230Vac/50Hz (110Vac/60Hz)	CV/KW	2,20/3 (1,50/2)	2,20/3 (1,50/2)	-
Electric Motor 24 Vdc	CV/KW	-	3,5/4,8	3,5/4,8
Traction battery capacity	24Vdc Lead Acid		210	210
	24Vdc Lithium Ion		300	300

* Subject to change depending on configuration.