

Glass Vacuum Lifters

The World's Number 0

MRT4 Intelli-Grip Dual Circuit [320kg]

The popular MRT4, with dual circuit vacuum system technology, is built for versatility.

The MRT4 vacuum lifter comes with innovative Intelli-Grip technology as standard. The Intelli-Grip machines are designed to increase safety by minimising operator error, helping to identify further training needs and also add an additional failsafe to ensure the safe operation of the equipment.

Intelli-Grip also monitors vacuum lifters in real-time, through performing multiple diagnostics and communicating them live on a colour LCD screen.

The MRT4 delivers 360° rotation and 90° tilt from any position. Using the extension arms and movable pads, at least four frame configurations are possible to cover most load sizes on site or in the workshop.

Key Features

- Capacity: 320kg
- Dual circuit vacuum system with reserve tank, non-return valve and vacuum gauge for each circuit
- 90° manual tilting from vertical to horizontal
- Manual 360° lockable rotation (continuous)
- Integral maintenance-free vacuum pump
- On-board Intelli-Grip control panel

Reference Codes

MRT4 - **VGL17 IG**

MRT4 variable length lifting arm - **VGL18 IG**



Technical Specifications

Safe working load (smooth, clean surface at 60% vacuum)	capacity:	320kg
Number of suction cups	cups:	4
Suction cup	description:	black rubber, not abrasion resistant
Suction cup diameter	approx diameter:	305mm
Suitable for lifting	material properties: surface: example:	gastight / non-porous smooth glass, plastic boards, ceramic plates, sheet metals, coated boards
Weight of lifter	approx:	58kg with extension arms, (42kg without arms)
Depth of lifter	depth:	290mm
Rotation	rotation:	360° manual continuous lockable positions
Tilt	tilt:	90° manual
Vacuum system	dual circuit:	1 pump, 2 vacuum reserve tanks
Voltage	pump: battery charger:	12v DC from rechargeable battery 110v/240v 50/60Hz single phase factory selectable
Standard accessories	standard	4 x extension arms
Optional accessories	optional:	variable length lifting arm, extra length extension arms, MRT Dolly curved pads (270kg capacity), stone pads (270kg capacity), low marking pads, heat resistant pads, woods pad mount extensions

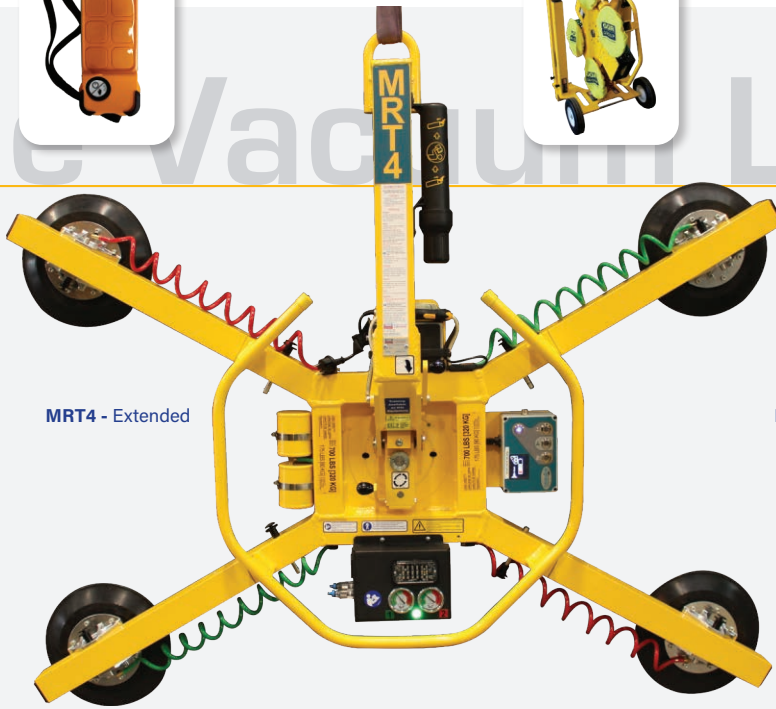
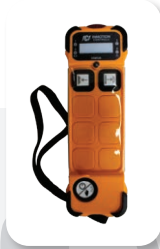
Radio remote control as standard

Optional MRT Dolly
Code: WGGR464

Monitor this machine with the WPG Intelli-Grip app



SALES & HIRE



MRT4 - Extended



MRT4 - Extended Profile View



Featuring a new dual circuit vacuum system.



The Intelli-Grip technology monitors vacuum lifters in real-time.



New and improved charging means the MRT4 Intelli-Grip lifter is more efficient.



MRT4 - Compact



MRT4 - Compact Pad View



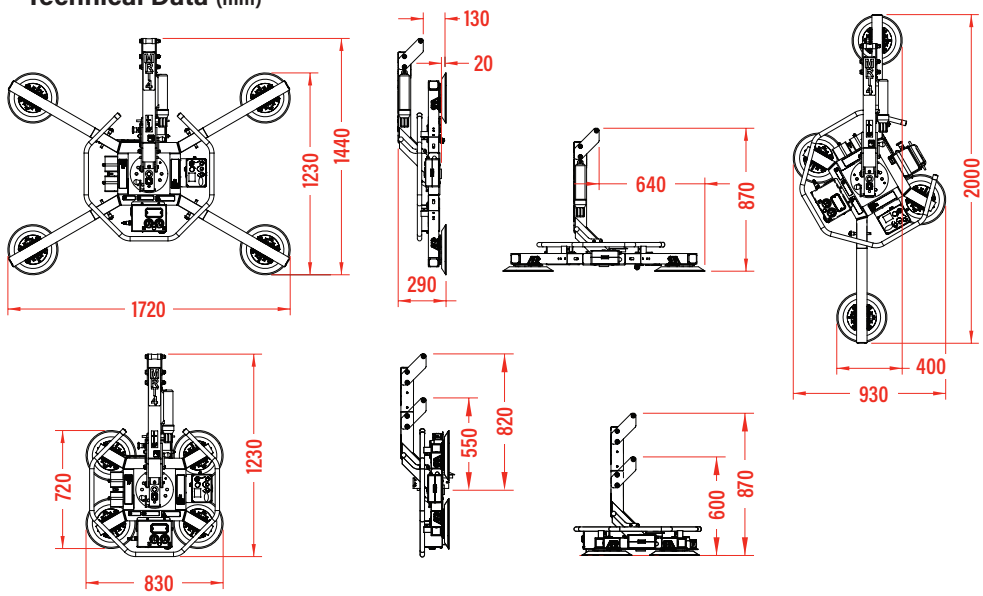
MRT4 - Compact Profile View



MRT4 - Compact Tilted View

MRT4 Intelli-Grip Dual Circuit

Technical Data (mm)



Variable length lifting arm - 600 / 900mm



600mm

900mm

900mm

Standard length lifting arm - 900mm

