

Compost turner

CMC ST 350



Compost
Systems



With a rotor length of 3.5 m and a heap cross-section of about 4 m², Compost Systems expands its Agroline with the **CMC ST 350** for tractors above 100 hp. With or without a super creeper gear, the **CMC ST 350** works well with a push axle (option) even without creeper speed. The turner has a transport height of more than 4.6 m, which is not suitable

for transport on public roads. The advantage: The rotor can be lifted from the heap at any time just as the smaller CMC-models. As with the smaller models the classic construction on top of a trailer ensures that lateral forces are stabilised and not transferred to the tractor. **The CMC ST 350 corresponds to the strict criteria of Controlled Microbial Composting.**



Compost turner

CMC ST 350



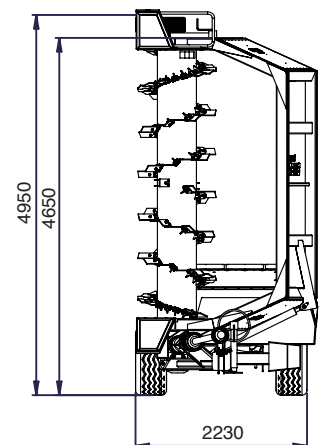
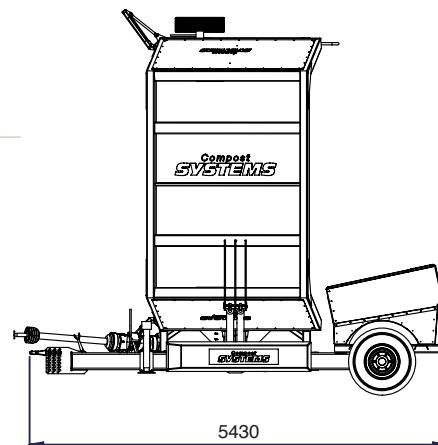
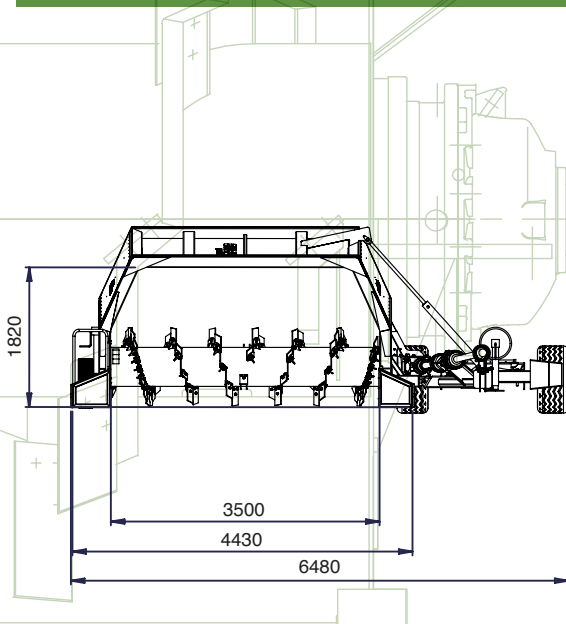
Compost
Systems

Technical data

Maximum width:	4.00 m
Maximum height:	1.90 m
Rotor length:	3.50 m
Transport height:	4.70 m
Transport weight:	~ 2.80 t
incl. counter weight:	~ 8.50 t
PTO:	Bondioli
Color:	Grey / Blue
Tractor power:	from 100 hp
Turning quantity:	up to 1,200 m ³ /h
Working speed:	100 - 750 m/h (depending on windrow size, density, process progress)

Options:

- Hydraulic drive wheels
- Hydraulic front shovels
- Hydraulic control block
- Stainless steel rotor tunnel
- Innoculation system
- Special colours
- Irrigation boom
- 1,000 l Irrigation/innoculation combination
- Lighting system 12 Volt
- Brake system
- Towing hitch above PTO
- Fleece roller



All information is subject to change without notice. Printing errors reserved.



**CARACTERÍSTICAS
TECNICAS**

**CMC
ST 350**

Largura Max.	4.00m
Altura Max.	1.90m
Largura do Rotor	3.50m
Altura para Transporte	4.70m
Peso Transporte	~ 2.80 t
Incl. contrapeso	~ 8.50 t
PTO (TDF)	Bandioli
Pneus	Standard: 12,5/80-15,3 Opcional: 400/60-15,5
Cor	Cinza/Azul
Potencia Trator	Mínimo 100cv
Produtividade	Até 1.200 m ³ /h
Velocidade de trabalho	100 – 750 m/h (dependendo da dimensão e densidade das pilhas, e progresso do processo)
Opcionais	Rodas de acionamento hidráulico Pás dianteiras hidráulicas Bloco de controle hidráulico Túnel do rotor de aço inoxidável Sistema de inoculação Cores especiais Barra de irrigação 1.000 l Kit Irrigação/inoculação Modelo 25/40 km/h Sistema de luz 12V Sistema de travagem Engate de reboque acima da tomada de força Rolo de cobertura