

# Compost turner

# CMC ST 230



Compost  
Systems



The new **CMC ST 230** offers high performance with compact design. The machine creates perfect mixing and ventilation results for tractors of minimum 30 hp. With a net tunnel opening of 2.3 m the machine can turn compost windrows up to a width of 2.6 m. Built on a trailer, in the proven system, the machine

offers all the advantages of its bigger brother such as the side-pull stabilisation, quick coupling and decoupling and it is easily transportable.

**The CMC ST 230 corresponds to the strict criteria of Controlled Microbial Composting.**



# Compost turner

# CMC ST 230



Compost  
Systems

## Technical data

Maximum width: 2.70 m  
Maximum height: 1.25 m

Rotor length: 2.30 m

Transport height: 3.55 m

Transport weight: ~ 1.40 t  
incl. counter weight: ~ 3.40 t

PTO: Bondioli

Tyres: Standard: 12.5/80-15.3  
Optional: 400/60-15.5

Color: Grey / Blue

Tractor power: from 30 hp  
Turning quantity: up to 600 m<sup>3</sup>/h

Working speed: 100 - 750 m/h (depending on  
windrow size, density, process progress)

### Options:

Hydraulic pusher axle

Hydraulic front shovels

Hydraulic rotor drive

Stainless steel rotor tunnel

Inoculation system

Special colours

Irrigation boom

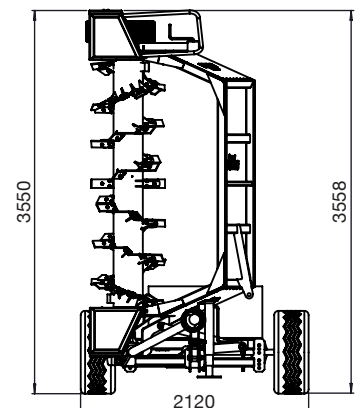
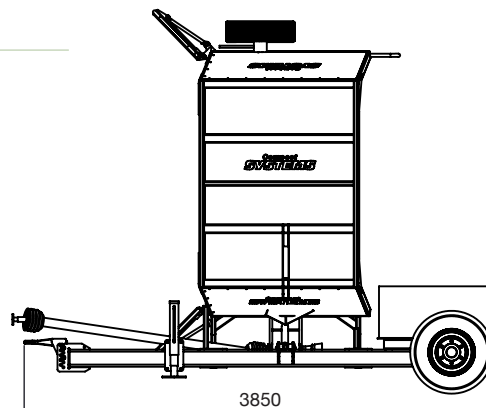
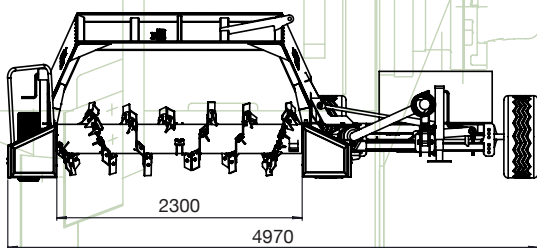
1,000 l Irrigation-Inoculation combi

Lighting system 12 V

Brake system

Towing hitch above PTO

Fleece roller



All information is subject to change without notice. Printing errors reserved.



## CARACTERISTICAS TECNICAS

**CMC**  
**ST 230**

<b>Largura Max.</b>	2.70m
<b>Altura Max.</b>	1.25m
<b>Largura do Rotor</b>	2.30m
<b>Altura para Transporte</b>	3.55m
<b>Peso Transporte</b>	~ 1.40 t
<b>Incl. contrapeso</b>	~ 3.40 t
<b>PTO (TDF)</b>	Bandioli
<b>Pneus</b>	Standard: 12,5/80-15,3 Opcional: 400/60-15,5
<b>Cor</b>	Cinza/Azul
<b>Potencia Trator</b>	Mínimo 30cv
<b>Produtividade</b>	Até 600 m <sup>3</sup> /h
<b>Velocidade de trabalho</b>	100 – 750 m/h (dependendo da dimensão e densidade das pilhas, e progresso do processo)
<b>Opcionais</b>	Eixo do empurrador hidráulico Pás dianteiras hidráulicas Acionamento do rotor hidráulico Túnel do rotor de aço inoxidável Sistema de inoculação Cores especiais Barra de irrigação 1.000 l Kit de Irrigação-Inoculação Sistema de iluminação 12 V Sistema de travagem Engate de reboque acima da tomada de força Rolo de cobertura