

Compost turner CMC SF 300



Compost
Systems



The **CMC SF 300** is the flagship for quality composting. Windrows with a width up to 3.4 m show very good properties for the production of high quality compost and high quality compost substrates.

During the years the **CMC SF 300** has evolved. This optimized solution promises aerobic conditions

for your process.

With a turning performance of more than 1,000 m³/h and a windrow cross-section of up to 3.5 m²/m this machine also meets the expectations of power freaks.

The CMC SF 300 corresponds to the strict criteria of Controlled Microbial Composting.



Compost turner

CMC SF 300



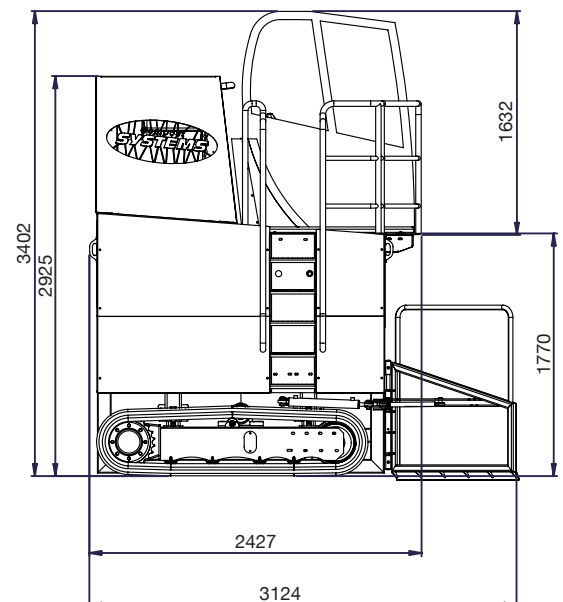
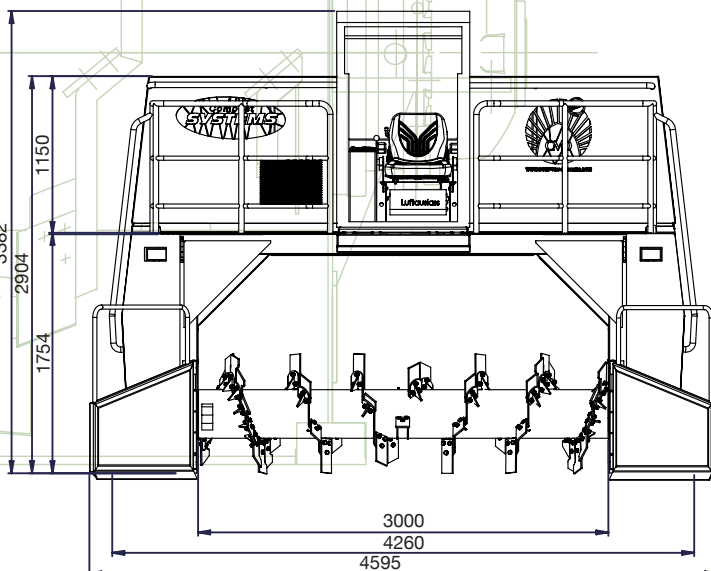
Compost
Systems

Technical data

Maximum width:	3.40 m
Maximum height:	1.60 m
Rotor length:	3.00 m
Machine dimensions:	(L) 3.13 m x (W) 4.60 m x (H) 3.40 m (working position)
Engine:	Type: Perkins diesel engine with turbocharger Capacity: 91.2 kW/125 HP Engine capacity: 4,400 ccm Cylinder: 4
Hydraulic chassis-height adjustment:	40 cm
Weight:	5.10 t (basic version)
Windrow cross section:	approx. 3.5 m ²
Rotor driving system:	Hydraulically operated
Driving system:	Rubber chain infinitely hydraulic driven driving speed (ca. 0 - 4 km/h)
Turning quantity:	+/- 1,500 m ³ /h
Control:	One-hand joystick

Options:

- Fleece roller
- Air conditioning
- Inoculation system
- Special colour
- Activated carbon filter
- Pressure ventilation system
- Reverse camera
- Further equipment on request!



All information is subject to change without notice. Printing errors reserved.



CARACTERISTICAS
TECNICAS

CMC
SF 300

Largura Max.	3.40m
Altura Max.	1.60m
Largura do Rotor	3.00m
Dimensões	C: 3.13m x L: 4.60m x A: 3.4m (Posição de trabalho)
Motor	Motor diesel Perkins com turbocompressor Capacidade: 91.2 kW/125 CV Capacidade Motor: 4.400 ccm Cilindros: 4
Altura do chassi hidráulico ajustamento	40cm
Peso	5.10 t (unidade base)
Secção transversal	Aprox. 3.5 m2
Acionamento do Rotor	Operado hidraulicamente
Produtividade	Aprox. 1.500 m ³ /h
Comandos	Joystick (de 1 mão)
Opcionais	Rolo de cobertura Ar condicionado Sistema de inoculação Cor especial Filtro de carvão ativado Sistema de ventilação de pressão Câmera de marcha-atrás Outros equipamentos sob consulta.