

# Compost turner

# CMC SF 200



Compost  
Systems



The **CMC SF 200** is a self propelled electric drive turning machine ideally suited for small plants. It has proven to be an excellent machine with an ideal mixing ability, simple handling by a manual control unit. Space requirements are kept to a minimum and

the electric drives on the steel chain drive and on the rotor drive are low-noise. To be independent of electricity supply it is also possible to use a power generator. **The CMC SF 200 corresponds to the strict criteria of Controlled Microbial Composting.**



# Compost turner

# CMC SF 200



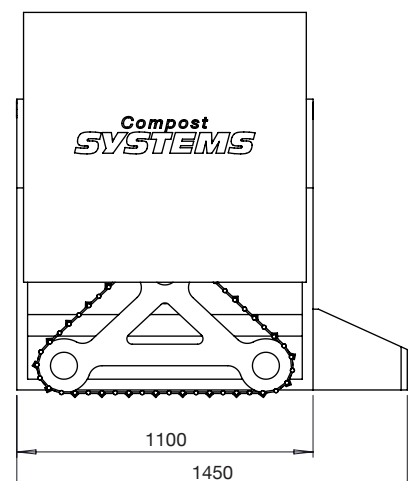
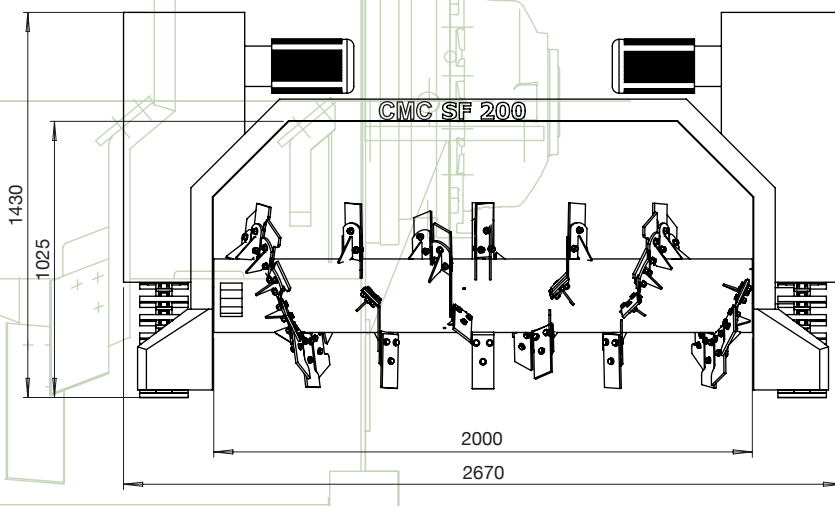
Compost  
Systems

## Technical data

Maximum width:	2.20 m
Maximum height:	1.00 m
Rotor length:	2.00 m
Machine dimensions:	2.67 m x 1.10 m x 1.43 m
Transport weight:	~ 500 kg
Chassis:	Steel track chain
Driving system:	Electric
Rotor:	2 pc 4 kW electric motor
Chassis:	2 pc 0.5 kW electric motor
Color:	Grey / Blue
Turning quantity:	up to 300 m <sup>3</sup> /h
Working speed:	200 m/h

### Options:

- Power Generator
- Inoculation system
- Irrigation boom including nozzles
- Special colour
- Further equipment on request!



All information is subject to change without notice. Printing errors reserved.



## CARACTERÍSTICAS TECNICAS

**CMC  
SF 200**

<b>Largura Max.</b>	2.20m
<b>Altura Max.</b>	1.00m
<b>Largura do Rotor</b>	2.00m
<b>Dimensões</b>	2.67 x 1.10 x 1.43 m
<b>Peso Transporte</b>	~ 500 kg
<b>Chassis</b>	Aço
<b>Sistema</b>	Elétrico
<b>Rotor</b>	2 pc 4 kW motor elétrico
<b>Chassis</b>	2 pc 0.5 kW motor elétrico
<b>Cor</b>	Cinza/Azul
<b>Capacidade</b>	Até 300 m <sup>3</sup> /h
<b>Velocidade de trabalho</b>	200m/h
<b>Opcionais</b>	Gerador de energia Sistema de inoculação Barra de irrigação incluindo bicos Cor especial Outros equipamentos sob consulta.