



Compost  
Systems

Machine technology

# CMC ST models

*Tractor-pulled compost turners*



# CMC ST 230 - 300 - 350

The classic, tractor-drawn compost turner belongs to Compost Systems like the Golf to Volkswagen. We have incorporated the knowledge of over 30 years of mechanical engineering for composting as well as the practical experience of our customers worldwide into our current models.



The result speaks for itself: robust and sophisticated machines that meet the tough demands of agriculture and industry.

Especially in the current evolutionary stage of the various CMC ST models, the newly developed rotor is showing significant improvements over the previous models. Our customers report drastic increases in performance and efficiency, with 20 % more output and 20 % less power required from the tractor, resulting in significant savings at the fuel station.

Development works! Constantly working on solutions to improve our compost turners every day to surprise you with innovations that make them better, faster, more efficient and cheaper.

## Benefits using a CMC ST compost turner

### Smooth operation of the rotor

Fresh windrows in particular separate the wheat from the chaff. Practitioners tell us, „It wasn't like I bought a new compost machine, but a stronger tractor!“ In fact, it's the combination of many factors that made Compost Systems' new rotor more efficient, more robust and less prone to wear. This confirms our philosophy of „To make the good even better!“ and enables our customers to use GOOD TOOLS for GOOD WORK.

### Conical tunnel

The rotor hood opens to the rear to ensure free ejection of the material without obstruction and to loosely rebuild a new windrow without compaction. The difference becomes clear especially with longer raw materials such as hay, grass or straw.

### Wear and tear

By carefully selecting the raw material for wear parts, we try to reduce operating costs. For particularly wear-intensive applications, we offer solutions with carbide tipping. We will be happy to advise you on the best options for your application based on our many years of experience.

### Construction and statics

Thanks to modern 3D design technology and our more than 30 years of experience in building compost turners, we see ourselves in the role of solution leader in the industry. The steadily increasing engine sizes of tractors, which have almost doubled in the last 20 years in terms of power, pose another challenge to the technology, which under the motto bigger and stronger, unfortunately sometimes also means heavier. With smart, constructive solutions, Compost Systems strives for perfection.

# The right equipment for every task

Our tractor-drawn compost turners CMC ST 230, 300 and 350 are manufactured in our own production plant, the CMC KompostmaschinenManufaktur in Lower Austria. As a modular system, we enable our customers to put together the perfect machine for a specific application from a rich range of options. The machine is then individually produced with the desired additional options in our Manufaktur.



## Irrigation-inoculation combination

To ensure the ideal moisture content throughout the composting process, our tractor-drawn compost turners can be equipped with an irrigation-inoculation combination. This allows the moisture content of the windrow to be increased as needed. Additionally, the bacterial strains recommended for composting as part of the CMC method (*Controlled Microbial Composting*) can be inoculated into the windrow. The tank is available in 1,000 l or 2,000 l sizes.



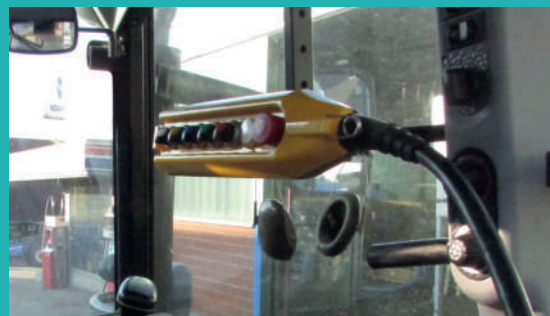
## Hydraulic front shovels

Material that is outside the working width of the compost turner can simply be directed inwards with hydraulically operated front shovels. This reduces driving resistance and increases efficiency.



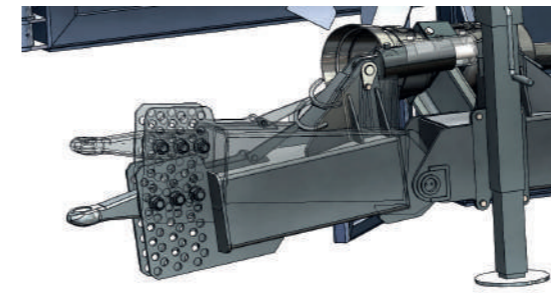
## Fleece roller

In addition to our fleece roller for operation with wheel or front loader on the tractor, the winding unit can also be mounted on the CMC ST models. In this case, the winding boom is swung out hydraulically or manually and the compost protection fleece is wound and unwound hydraulically. The speed of winding and unwinding of the fleece, which can be up to 6 meters wide, can be hydraulically adjusted.



## Electrohydraulic controls (CMC ST 300 / 350)

With the electric over hydraulic control, the various hydraulic consumers are operated simply and conveniently from a central location. The control bulb can be placed in the tractor cab in a user-friendly manner. This means that on the tractor side, one double-acting control unit is sufficient, which makes an almost unlimited number of hydraulic consumers possible.



## Hydraulic articulated hitch

The hydraulic articulated hitch ensures the adaptability to different heights of the towbar of various tractor models. Further advantages of this option are that the rotor can always be adjusted to the ideal working height, even on unpaved or uneven surfaces - which is important, among other things, in the course of roadside composting.



## Hydraulic side displacement

This allows the angle of the rotor tunnel to the longitudinal axis of the transfer unit (normally 90 °C) to be changed. Lateral slopes can cause the windrow to „wander away“ and can be compensated for with the hydraulic lateral offset. On a level surface, up to 30 cm lateral displacement of the windrow per turning operation is possible. In approx. 10 - 12 turns, the windrow can be laterally offset by an entire windrow width.



## Push axle

If the tractor does not have a supercreeper gear or a variable transmission, the installation of a push axle is the economical alternative. This allows the speed to be steplessly controlled hydraulically by the tractor.



## Stainless steel tunnel lining (CMC ST 230 / 300 / 350)

The inner lining of the rotor tunnel will be made of stainless steel to significantly improve corrosion resistance.

## Homologation for public roads (CMC ST 230 / 300)

The CMC ST 230 from the small segment and the CMC ST 300 from the medium segment are suitable for transport on public roads due to their dimensions in transport position. The machines can be equipped with a road approval according to TÜV Austria. This includes an air brake system, legally compliant lighting and mudguards. This means that nothing stands in the way of using the machines on different sites.

## Additional equipment options:

Irrigation bar, raised towbar, hydraulic support foot, hydraulic support wheel, special tires, custom colour.



# Technical data

	ST 230	ST 300	ST 350
Max. windrow width:	2.7 m	3.4 m	4.0 m
Max. windrow height:	1.25 m	1.6 m	1.9 m
Rotor length:	2.3 m	3.0 m	3.5 m
Transport height:	3.55 m	4.0 m	4.7 m
Transport weight:	~ 1.4 t	~ 2.3 t	~ 2.8 t
Transport weight incl. concrete weights:	~ 3.4 t	~ 6.0 t	~ 8.5 t
Tractor power:	from 30 hp	from 70 hp	from 100 hp
Turning rate:	up to 600 m <sup>3</sup> /h	up to 1,000 m <sup>3</sup> /h	up to 1,200 m <sup>3</sup> /h
Operating speed:	200 - 750 m/h (depending on material)		100 - 750 m/h (depending on windrow size, density and process progress)
Tires:	Standard: 12.5 / 80 - 15.3 Wide tires: 400 / 60 - 15.5		
Colour:	Grey (RAL 9018) / Blue (RAL 5011)		

Due to manufacturing tolerances and design changes, the dimensions given may vary slightly. All data subject to change without notice.

## Requirements for the tractor

Tractor power from 30 hp for the CMC ST 230, from 70 hp for the CMC ST 300 and from 100 hp for the CMC ST 350.

It is important that the tractor has a supercreeper gear or variable transmission so that the slow speed of ~ 200 m/h can be achieved. Depending on the design, one or more double-acting hydraulic connections are necessary.

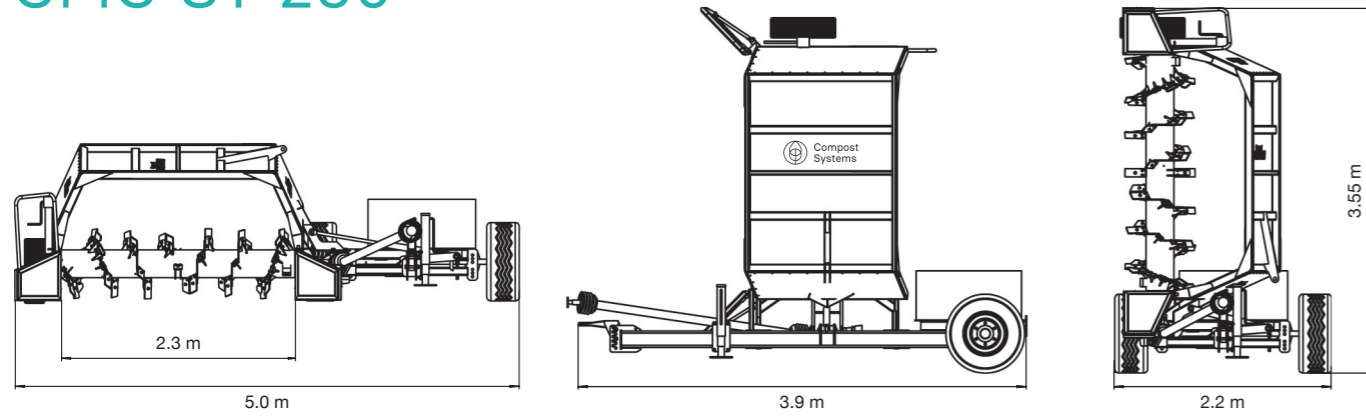


All CMC ST models meet the strict criteria of **Controlled Microbial Composting.**

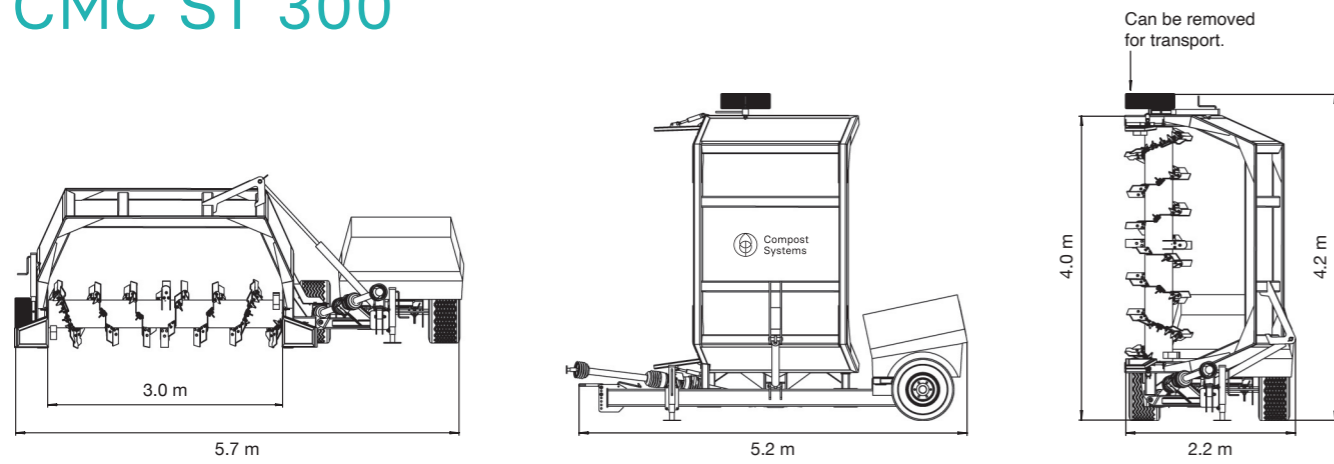


Scan to watch videos of our CMC ST models

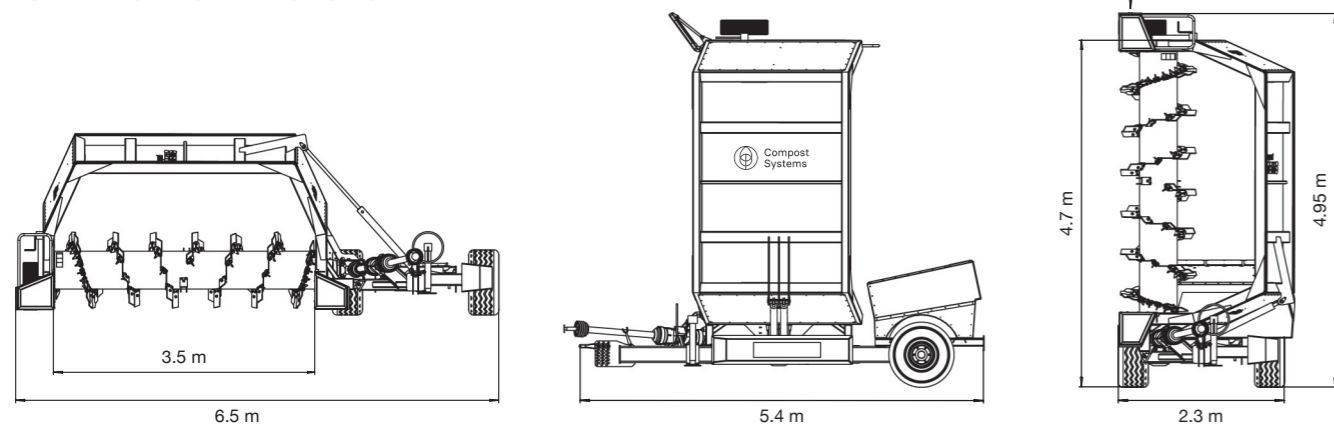
## CMC ST 230



## CMC ST 300



## CMC ST 350



# CMC ST 200

The perfect solution for small composting plants. The CMC ST 200 is an affordable, compact and powerful entry-level model. We offer the CMC ST 200 as a ready-made machine and also as an „IKEA-style“ kit.



The scope of supply of the CMC ST 200 kit includes the entire steel structure (incl. steel tubes and cut sheet metal), as well as all components, such as gearbox, hydraulic cylinder and hydraulic hosing, tires, axle and PTO shaft. The rotor is fully assembled, but only tack welded. The buyer must finish welding the rotor. The kit is supplied with comprehensive assembly instructions.

# Technical data

Max. windrow width:	2.2 m
Max. windrow height:	1.2 m
Rotor length:	2.0 m
Transport height:	3.3 m
Transport weight:	~ 0.85 t
Transport weight incl. concrete weights:	~ 1.85 t
Tractor power:	from 20 hp
Turning rate:	up to 400 m <sup>3</sup> /h
Operating speed:	200 - 750 m/h (depending on windrow size, density and process progress)
Tires:	10.5 / 80 - 15.3

Due to manufacturing tolerances and design changes, the dimensions given may vary slightly. All data subject to change without notice.

## Options:

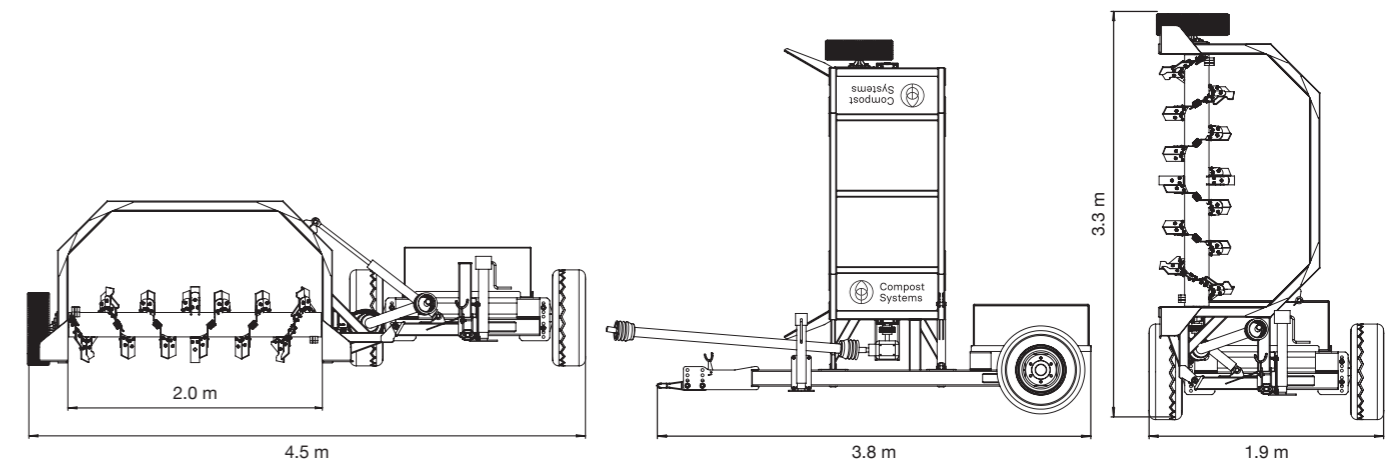
- Wheel loader version
- Hydraulic rotor drive
- Stainless steel tunnel lining
- Custom colour
- Irrigation bar
- 1,000 l irrigation-inoculation combination
- Lighting system 12 W



Scan to watch the video CMC ST 200

## Requirements for the tractor

It is important that the tractor has a 20 hp power engine and a supercreeper gear or variable transmission, so that the slow speed of ~ 200 m/h can be achieved. Depending on the version, one or more double-acting hydraulic connections are necessary.



The CMC ST 200 meets the strict criteria of **Controlled Microbial Composting.**



Compost  
Systems



## Made in Austria – Approved worldwide

As a leader in solutions for biological waste treatment, we have been working on high-performance and economical machine technology since 1987. Through many years of experience and relevant expertise, we have managed to produce Austrian quality products for efficient, material-friendly compost production. Whether in the gardening, agricultural or purely industrial sector - we provide you with suitable solutions.

Plant components

Compost covers

Machine technology

Container technology

Measurement technology

### Compost Systems GmbH

Maria-Theresia-Straße 9, 4600 Wels, Austria

T +43 7242 350 777-0

office@compost-systems.com

[www.compost-systems.com](http://www.compost-systems.com)

ENGLISH version: May 2022.  
Technical data and illustrations are correct at the time of printing.  
Errors and omissions excepted. Subject to printing errors.